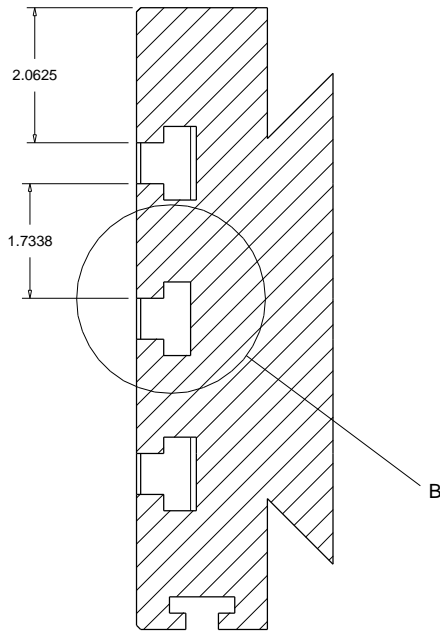
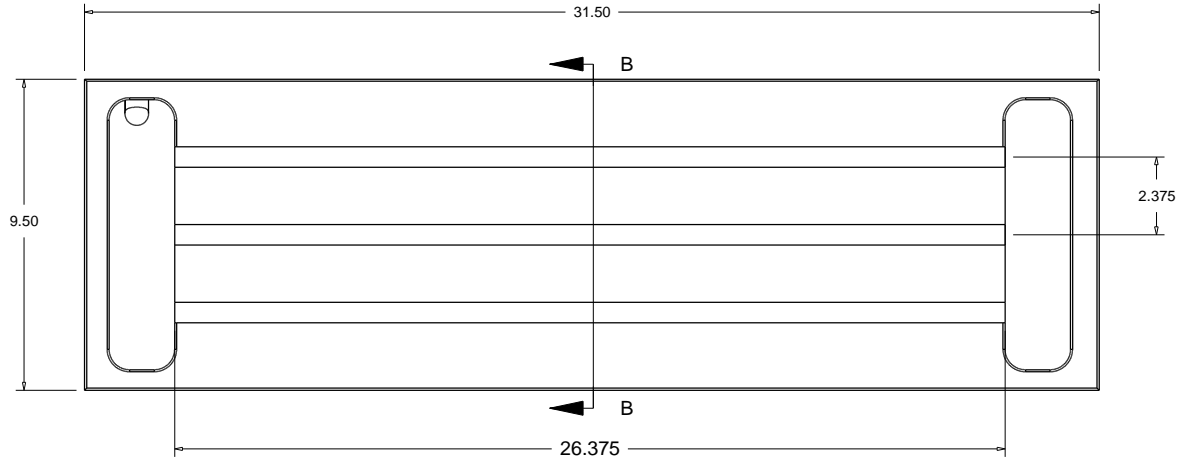
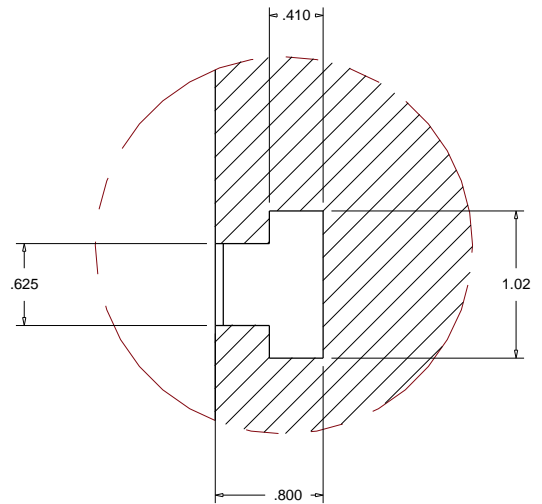


CNC MASTERS, INC.
CNC BARON/ BARON XL TABLE SIZE



Section B-B



Detail B